

FSM636-170W,180W,190W

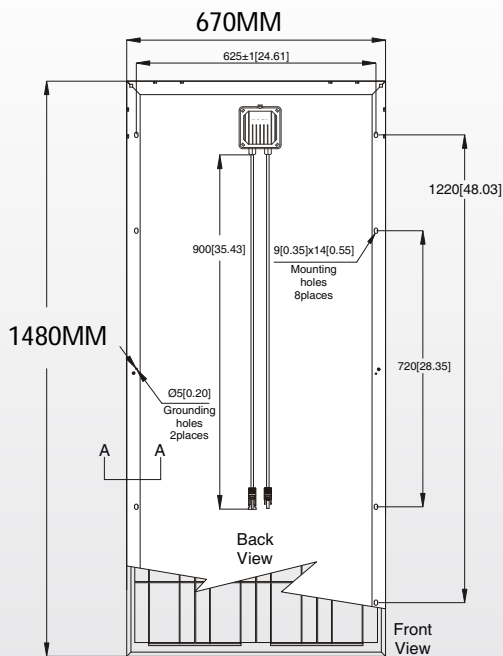
High Efficiency Monocrystalline PV Module

Electrical Characteristics	FSM636-170W,180W,190W		
Product code	FSM170-12	FSM180-12	FSM190-12
Maximum power (Pmax)	170W	180W	190W
Voltage at Pmax (Vmp)	17.9V	18.1V	18.3V
Current at Pmax (Imp)	9.50A	9.94A	10.38A
Open-circuit voltage (Voc)	22.8V	23.0V	23.2V
Short-circuit current (Isc)	9.74A	10.23A	10.70A
Temperature coefficient of Voc	-(80±10)mV/°C		
Temperature coefficient of Isc	(0.065±0.015)%/ °C		
Temperature coefficient of power	-(0.5±0.05)%/ °C		
NOCT (Air 20°C; Sun 0.8kW/m ² wind 1m/s)	47±2°C		
Operating temperature	-40°C to 85°C		
Maximum system voltage	1000V DC		
Power tolerance	±3%		

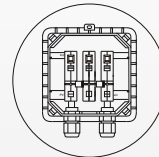
*STC: Irradiance 1000W/m², AM1.5 spectrum, module temperature 25°C
 *NOCT: Nominal operating cell temperature (the data is only for reference)



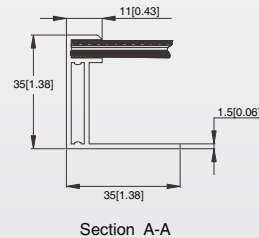
Module Diagram



Dimensions in brackets are in inches.
 Un-bracketed dimensions are in millimeters.
 Unit: mm[in.]



Junction Box
 Top View (Lid Open)

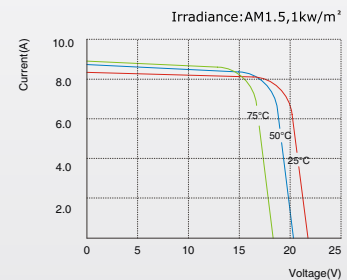


Section A-A

Features

- Nominal 12V DC for standard output.
- Outstanding low-light performance.
- Heavy-duty anodized frames.
- High transparent low-iron, tempered glass.
- Rugged design to withstand high wind pressure, hail and snow load.
- Aesthetic appearance.

Characteristics



FSM636-170W,180W,190W I-V Curves

Specifications	FSM636-170W,180W,190W
Cells	Monocrystalline Solar Cell
No. of cells and connections	36(4X9)
Module dimension	1480*670*35 MM
Weight	12.1kg[26.68lbs]
Packing information(Carton)	1545mm[60.83in.]x720mm[28.35in.]x70mm[2.76in.]/(1pc/ctn)

*Limited warranty: 5-year limited warranty of materials and workmanship; 10-year limited warranty of 90% power output; 25-year limited warranty of 80% power output. For detail, please contact us.
 *Specifications are subject to change without notice at any time.