

FSP636-150W,160W,170W

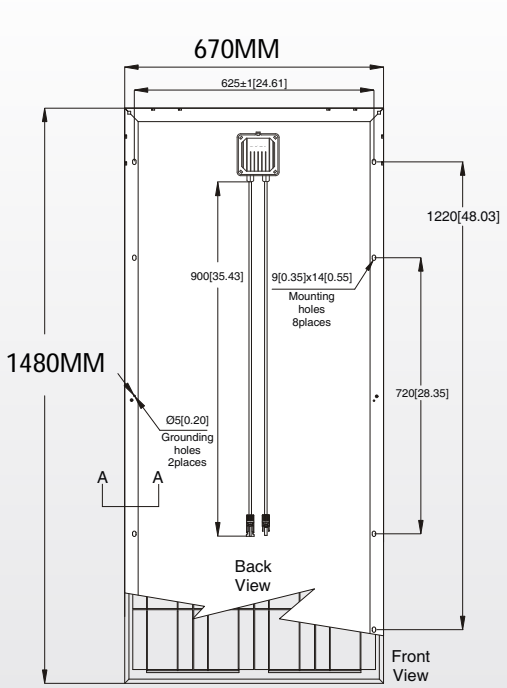
High Efficiency Multicrystalline PV Module

Electrical Characteristics	FSP636-150W,160W,170W		
Product code	FSP150-12	FSP160-12	FSP170-12
Maximum power (Pmax)	150W	160W	170W
Voltage at Pmax (Vmp)	17.5V	17.7V	17.9V
Current at Pmax (Imp)	8.63A	9.04A	9.50A
Open-circuit voltage (Voc)	22.4V	22.6V	22.8V
Short-circuit current (Isc)	9.05A	9.52A	9.93A
Temperature coefficient of Voc	-(80±10)mV/°C		
Temperature coefficient of Isc	(0.065±0.015)%/ °C		
Temperature coefficient of power	-(0.5±0.05)%/ °C		
NOCT (Air 20°C; Sun 0.8kW/m ² wind 1m/s)	47±2°C		
Operating temperature	-40°C to 85°C		
Maximum system voltage	1000V DC		
Power tolerance	±3%		

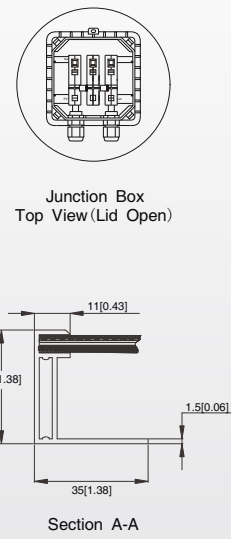
*STC: Irradiance 1000W/m², AM1.5 spectrum, module temperature 25°C
 *NOCT: Nominal operating cell temperature (the data is only for reference)



Module Diagram



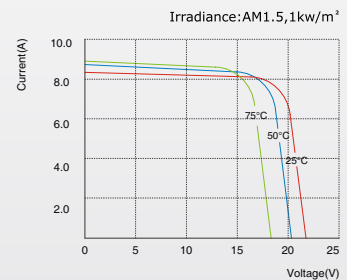
Dimensions in brackets are in inches.
 Un-bracketed dimensions are in millimeters.
 Unit: mm[in.]



Features

- Nominal 12V DC for standard output.
- Outstanding low-light performance.
- Heavy-duty anodized frames.
- High transparent low-iron, tempered glass.
- Rugged design to withstand high wind pressure, hail and snow load.
- Aesthetic appearance.

Characteristics



FSP636-150W,160W,170W I-V Curves

Specifications	FSP636-150W,160W,170W
Cells	Polycrystalline silicon solar cell
No. of cells and connections	36(4X9)
Module dimension	1480*670*35 MM
Weight	12.1kg[26.68lbs]
Packing information(Carton)	1545mm[60.83in.]x720mm[28.35in.]x70mm[2.76in.]/(1pc/ctn)

*Limited warranty: 5-year limited warranty of materials and workmanship; 10-year limited warranty of 90% power output; 25-year limited warranty of 80% power output. For detail, please contact us.
 *Specifications are subject to change without notice at any time.